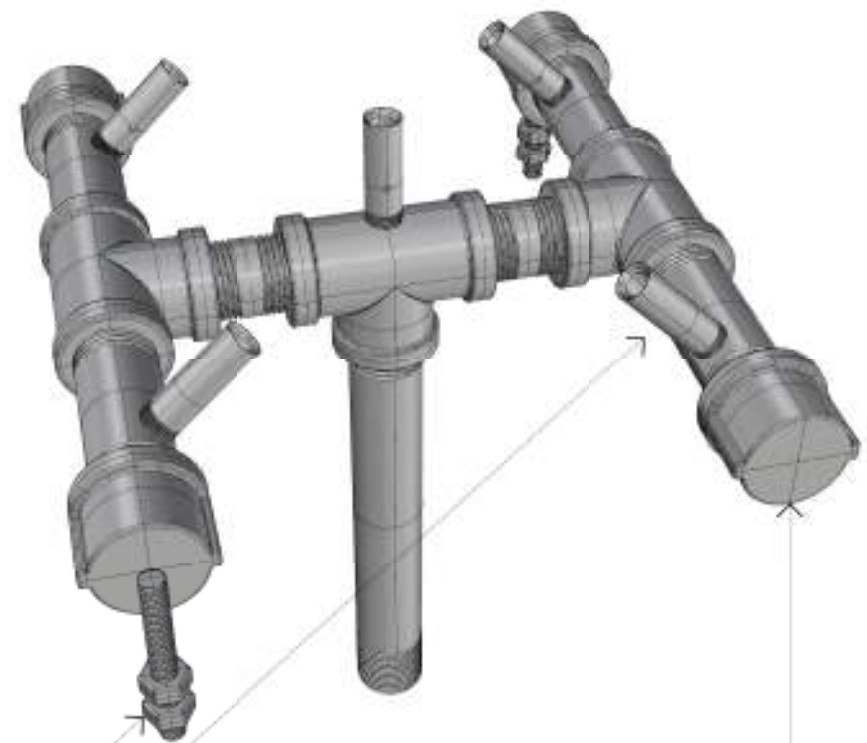


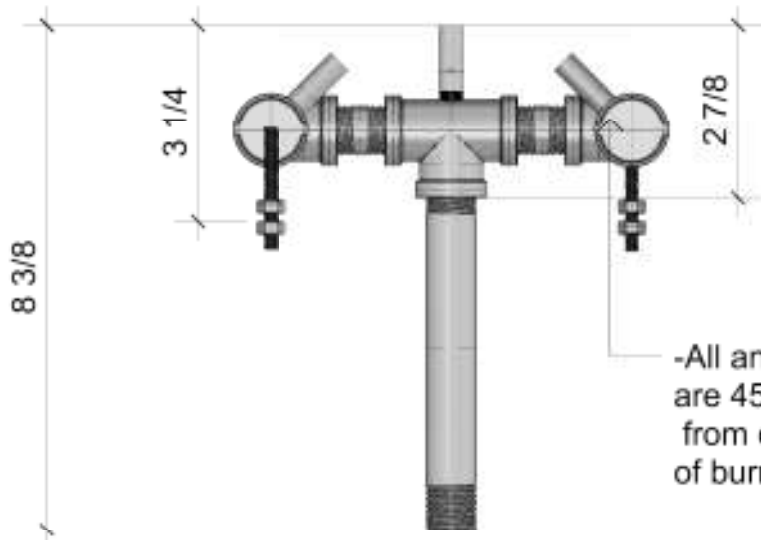
-4x closed 1/2" pipe caps



-Natural Gas Jet

-1/4"-20tpi threaded rod and nuts.

-All nipples and fittings are 1/2" black iron pipe



-All angled jets are 45 degrees from centerline of burner.

-Tolerance is 1/16". Thread engagement is largest variable.

Date:	03/14/13	Desc:	CFB60
Drawn By:	J.D.	Rev:	Ckd:
Drawing #:	4	Rev:	Ckd:
Approved:		Rev:	Ckd:

