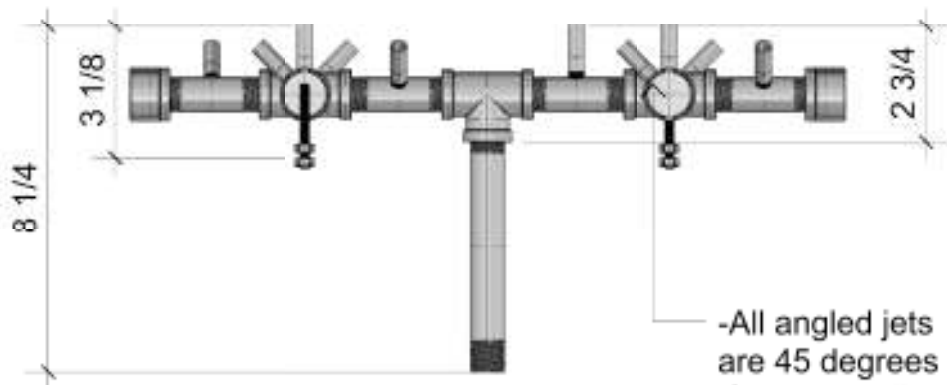


1/4"-20tpi threaded rod and nuts.

Natural Gas Jet



-All angled jets are 45 degrees from centerline of burner.

All nipples and fittings are 1/2" black iron pipe.

-Tolerance is 1/16". Thread engagement is largest variable.

| | | | | |
|------------|----------|-------|--------|------|
| Date: | 03/14/13 | Desc: | CFB120 | |
| Drawn By: | J.D. | Rev: | | Ckd: |
| Drawing #: | 6 | Rev: | | Ckd: |
| Approved: | | Rev: | | Ckd: |

